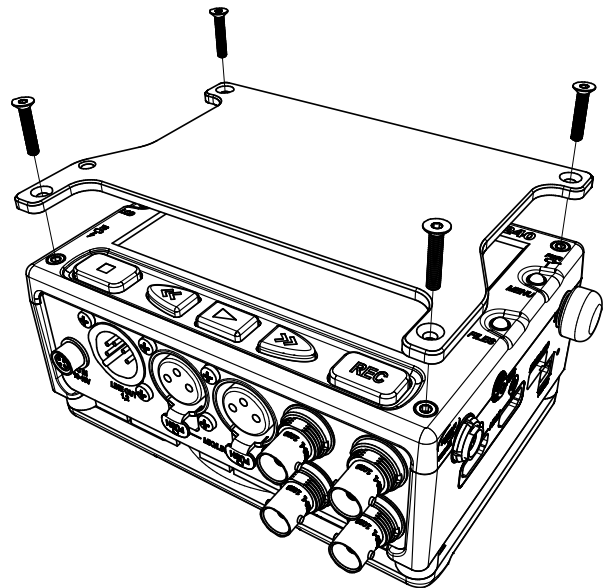


## PIX-LCD

### Clear Polycarbonate LCD Cover for PIX Video Recorders



#### Description

The PIX-LCD cover provides protection to the LCD display of PIX 240 and PIX 220 video recorders.

#### What's Included

- 1 - PIX-LCD Cover (Macrolon® clear polycarbonate)
- 4 - PIX-LCD faceplate screws (2 mm Hex)
- 1 - 2.5 mm Hex driver for existing PIX faceplate screws
- 1 - 2 mm Hex driver for PIX-LCD faceplate screws

#### Installation

1. Place the PIX recorder on a flat, stable, non-slip surface to ensure that the recorder is secure while working.
2. Clean the PIX recorder's LCD display thoroughly (using a moist cloth and/or canned air) to ensure that no existing dust is trapped between the recorder's LCD display and the PIX-LCD cover when it is installed.
3. Carefully remove the protective film from both sides of the PIX-LCD cover. Use a non-marring tool (such as a fingernail or plastic tool) to pull up a corner of the film and begin the removal.
4. Using the provided 2.5 mm hex driver, remove the four faceplate screws from the front of the PIX recorder. Set the screws aside, as they will not be used. (*These screws secure the LCD display and the faceplate to the recorder, so the seam between the faceplate and recorder will widen. This is normal. Do not lift the faceplate or tilt the PIX recorder while the screws are removed.*)
5. Place the provided PIX-LCD cover over the PIX recorder, making sure that the counter-sunk holes point upward and the hole for the TC LED is positioned properly over the TC LED.
6. Drop the provided faceplate screws into the four holes through the PIX-LCD cover and into the PIX recorder.
7. Using the provided 2 mm hex driver, tighten each screw down partially, moving around the corners. Continue this process until all of the screws are secure and the seam between the faceplate and recorder is tight. (*Do not over-tighten the screws. As the faceplate screws are tightened, there will be a small popping sounds of the faceplate settling back into the PIX chassis. this is normal.*)